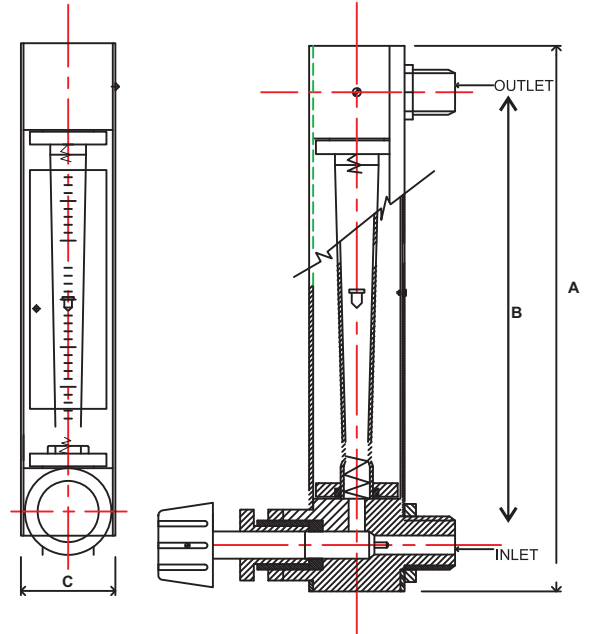


PURGE ROTAMETER

SERIES : SC / R - 200



The Purge Rotameter are low capacity variable area flowmeters for both liquid and gas with an excellent selection of material and scale lengths in a single product family design. They provide optimum flexibility with minimum component proliferation. The Rotameter features, a corrosion resistant, high strength stainless steel body and a safety tested operator protection shield.



TECHNICAL SPECIFICATION

ACCURACY	: +/-3% OF FSR.
RANGEABILITY	: 10:1
REPEATABILITY	: +/-0.5% of FSR
Max Temperature	: 120°C.
MAX PRESSURE	: 10kg/cm ² (HIGH PRESSURE ON REQUEST)
CONNECTION	: 1/4" BSP (M/F) OTHERS ON REQUEST
DIRECTION OF CONNECTION	: REAR BOTTOM TO TOP
MATERIAL OF CONSTRUCTION	: SS 316
PACKING / GASKETS	: NEOPRENE / SILICON / VITON / PTFE
COVER	: ACRYLIC / POLY CARBONATE
ACCESSORIES	: 1) DIFFERENTIAL PRESSURE REGULATOR 2) HIGH & LOW FLOW ALARMS 3) NEEDLE VALVE

Dimensions

Model No	a (mm)	b (mm)	c (mm)	Scale Length (mm)
R-201	132	105	32	65
R-202	182	155	32	100
R-203	232	205	32	170

Model Coding

R - 201	L	A	S	1
Service				
Liquid	L			
Gas	G			
Flow Direction				
Vertical		A		
Rear		B		
End Connection				
Screwed			S	
Hose			H	
Flanged			F	
C/C Distance				
105 mm				1
155 mm				2
205 mm				3

Measuring Range

Water Flow @ 20°C (LPH)			Air @ 20°C & 1 ATM (LPH)		
R-201	R-202	R-203	R-201	R-202	R-203
0.05 - 0.5	—	—	2 - 20	—	—
0.08 - 0.8	—	—	3 - 30	—	—
0.1-1	—	—	4 - 40	—	—
—	0.2 - 2	—	—	8 - 80	—
—	0.3 - 3	—	—	12 - 120	—
—	0.4 - 4	0.4 - 4	—	16 -160	16 -160
—	0.5 - 5	0.5 - 5	—	20 - 200	20 - 200
—	—	0.8 - 8	—	—	32 - 320
—	—	1 - 10	—	—	40 -400
—	—	0.16 - 16	—	—	64 - 640
—	—	2 - 20	—	—	80 - 800
—	—	3 - 30	—	—	120 -1200



GEM Seller ID : 8C0F180000397396

SPINK CONTROLS

303, SIDDHARTH TOWER, MYNOOMAL PATH, KOPRI, THANE(E) - 400 603
 MAHARASHTRA, INDIA
 Fax : +91 22 2532 4845 Phone: +91 22 2532 8223 +91 22 2532 8224
 Email : info@spinkcontrolsindia.com