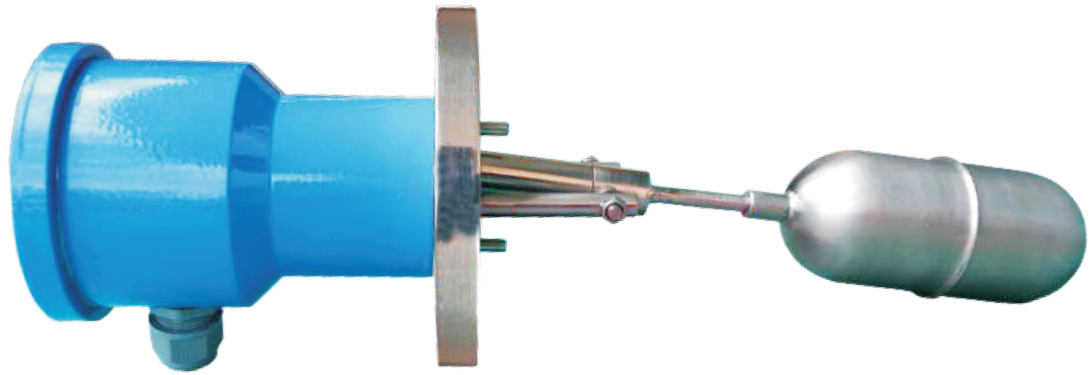


SIDE MOUNTED LEVEL SWITCH



DESCRIPTION

Side mounted level switch used to control liquid level in vessels containing corrosive or non corrosive liquids. It is used to pump control, Alarm, valve control or level indication.

PRINCIPLE

The float lever carries a permanent magnet which is repelled by similar magnet mounted in the switch housing. The magnet having the same pole directed towards each other are separated by a non magnetic diaphragm. The gland less construction offer excellent sealing

CONSTRUCTION

It consists of 3 main parts :

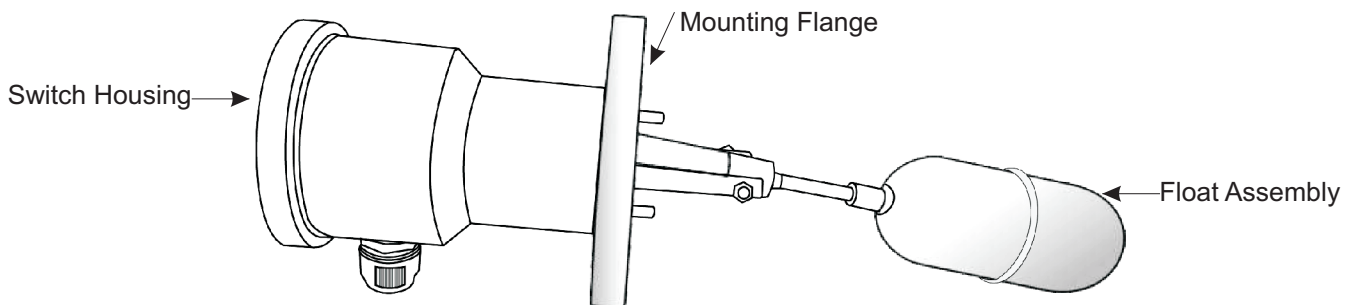
1. Housing with Micro Switch
2. Mounting Flange
3. Float Assembly

FEATURES

1. Easy to install
2. Reliable
3. Available with different flange size
4. Available in different MOC

APPLICATION

Water, Oil, Fuels, Chemical, Solvents, Syrup etc.,



TECHNICAL SPECIFICATION

Switch Type	Micro Switch, SPDT
Switch Rating	240V AC, 5A
Enclosure	Weather proof, Flame proof
MOC	SS 304, SS 316, PP
Flange	Standard Dia 120, 92 PCD Also available in ANSI, BIS, DIN Standard Flange
Float	Dia 50, 60, 75, Non Standard
Max Temperature	150° C (Higher temperature on request)
Max Pressure	20kg / cm ² (Higher Pressure on request)



GEM Seller ID : 8C0F180000397396

303, SIDDHARTH TOWER, MYNOOMAL PATH, KOPRI, THANE(E) - 400 603 MAHARASHTRA, INDIA

Fax : +91 22 2532 4845 Phone : +91 22 2532 8223 +91 22 2532 8224

Email : info@spinkcontrolsindia.com