

# Sight Flow Indicator



*Spink Series Sight Flow Indicators are manufactured of quality materials and safety tested to assure long, dependable service at economical prices. The Series offer ANSI / ASME flange process connections, double viewing windows, and bodies of carbon steel or 316 SS. It has a double window with no moving indicator.*

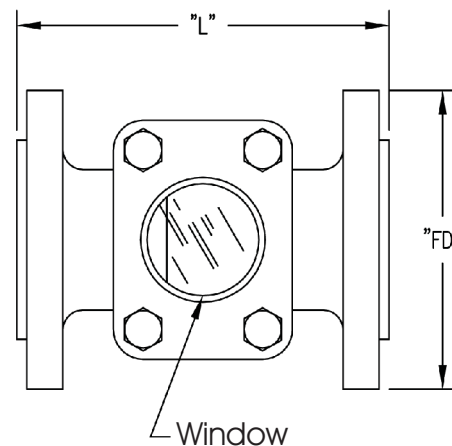
*All the types feature a removable window for easy service and replacement of wearing parts.*

## Specifications

Service	:	Compatible gases and liquids.
Wetted Materials	:	Window: tempered glass; Body: carbon steel or 316 SS; Gasket: Buna-N, fluoroelastomer or PTFE;
Temperature Limit	:	200°F (93°C).
Pressure Limit	:	150 psig (10.34 bar).
Connections	:	Flanged.

## Dimension Drawing

MODEL	SIZE(Inch)	FLANGE TO FLANGE DISTANCE (L)	FLANGE DIAMETER (FD)
SPINK SERIES	1 ½	165	127
	2	200	152
	3	250	191
	4	300	229
All Dimensions are in mm			



R-1 A,VILAS APPT, SANT TUKARAM  
PATH,KOPRI, THANE(E) 400 603,INDIA  
Fax: 91-22-2532 4845

**SPINK CONTROLS**®

Phone:91-22-2532 8223/24

Email:info@spinkcontrolsindia.com