

TUBULAR LEVEL INDICATOR

Simple low cost and reliable for direct reading of clean liquid levels at low pressure & temperature conditions.



Construction & Operation

Gauge is fitted between two end fittings through gland packing. The gauge is mounted parallel to tank so as to form a close loop causing tank liquid to seek its level in the gauge. The Gauge Glass is protected with 'c' channel. End fitting has built-in isolating valve, drain valve & vent plug.

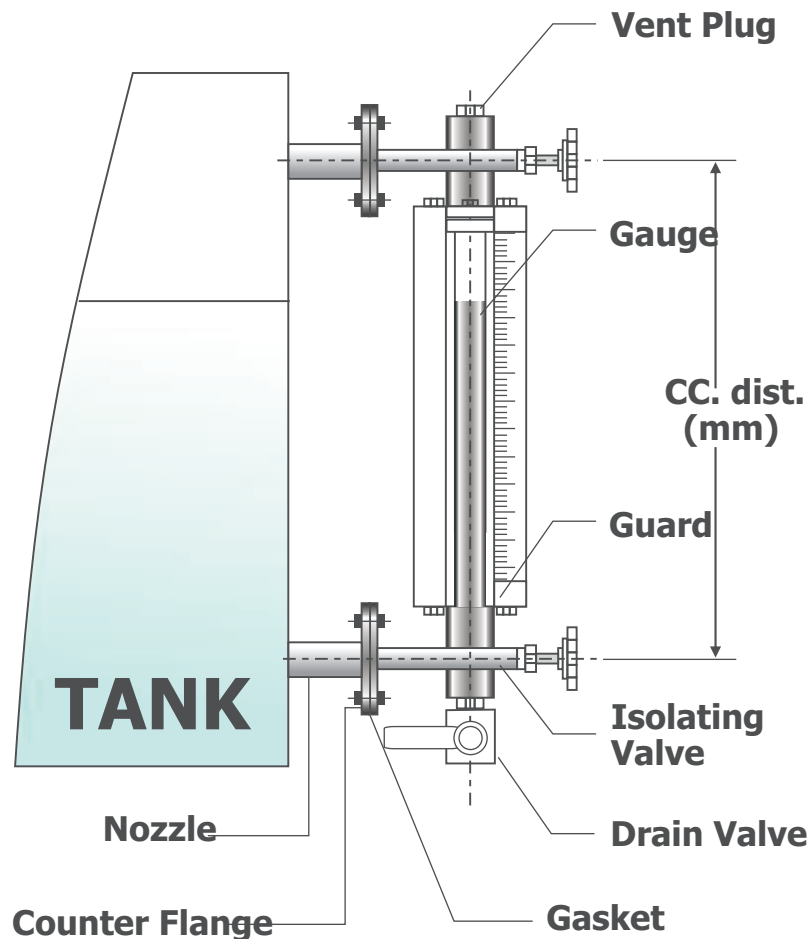
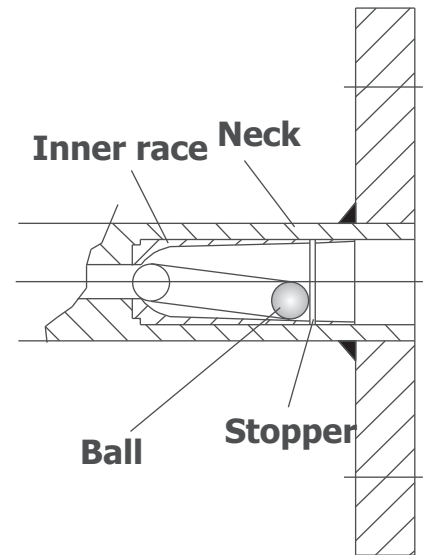
Features

360° visibility with tie-rod guards.
Glass removal / replacement possible w/o dismantling of gauge.
Offset isolating valves permit cleaning of glass gauge w/o removal.



Auto Ball Check

Autoball check facility is provided to prevent "liquid loss" from vessel during breakage of gauge glass. It consists of a capsule located within the gauge neck and contains a 'ball' which moves freely along its inner race between the stopper & orifice. During breakage, the pressure on 'ball' from gauge side will be atmospheric, whereas higher pressure from vessel side ("optg pr + liquid column") will cause the ball to move and block the orifice, to minimize liquid loss



INSTALLATION:

- Side mounted through tank nozzles, having matching counter
- flanges / threads, ensuring that CC distance between nozzles
- corresponds with CC distance (R) of the gauge.

Model Identification - TLG :							
GAUGE SIZE 19mm.(HW)	1						
END BLOCK MOC CS SS 304 SS 316 PP PTFE LINES Non-std.		M N S P D O					
END BLOCK TYPE W/O Valve Offset Needle Valve			W V				
GUARDS CS 'C' Channels SS 304 'C' Channels				1 3			
GLAND MOC CI SS 316					I S		
PROCESS CONNECTIONS Flanged Screwed						F S	
VENT x DRAIN Plug x Plug Plug x Ball Valve							1 2
SCALE Acrylic Aluminium							P S

Applications : Chemical / Petro-Chemical, Fertilizer, Power generation, Pharmaceutical, Automobile, Water/Waste Water/ Effluent treatment plants, Cooling/Lubricating/Filtration systems, Liquid sewerage tanks, Chemical dosing system, Chemical reactors etc.

x (CC dist.) in mm.

STANDARD SPECIFICATIONS:

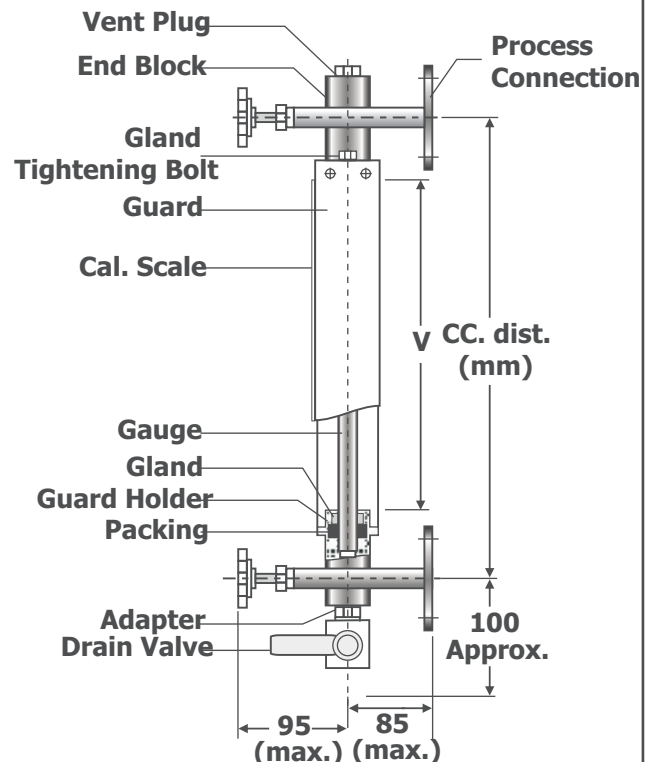
Gauge	: HW Borosilicate Glass 16 / 25mm OD (25mm for Viscous Liquids)
End Block MOC	: CS / SS 304 / SS 316 / PP / PVDF
End Block Type	: W/o Valve / Offset NV with or W/o Auto Ball Check
Guards	: CS/ SS304 / FRP C-Channels or Tie-Rods
Gland MOC	: CI / SS 316 / PP with PVDF insert
Packing	: PTFE
Process conn.	: ¾" / 1" Flanged (Table D / ANSI 150#) or BSP Screwed
Vent / Drain	: Plug / Ball valve
Calibrated Scale	: Polycarbonate (LC=2mm) / SS(LC=10mm)
CC Dist.	: 3000mm in Single Length, Large CCD's thru' Coupler
Visibility	: CC Dist - 150mm
Maximum Temp.	: 200°C (Metallic) / 100°C (PVDF) / 70°C(PP)
Test Pressure (at amb temp)	: 10 Kg/cm ² (Metallic) / 2 Kg/cm ² (PVDF / PP MOC)

OPTIONS

Auto Ball Check:	Ø10 mm SS 316 ball (Metallic MOC)/ PTFE (PVDF & PP MOC)
Glass Protector	: 3mm thick Perspex Shield
Frost Free Extn.:	Perspex Shield 20mm thk with 35mm Extension
Illuminator	: 15W Bulb mtd on 1200mm long Reflector x 220VAC Supply with Cast Al IP65/ Ex-P Gr IIA & IIB or IIC Enclosure (Multiple Illuminators for CCD's >1200mm)
Jacketing	: ¼" SS304 pipe with Ferrule & Lock Nut

MOC's in CI / CS are Epoxy Coated

Schematic diagram



ALL DIMENSIONS ARE IN mm EXCEPT SPECIFIED.

एन एस आई सी
NSIC
ISO 9001 : 2008

UDYOG AADHAR
अभियंता
MSME

CERTIFIED
ISO
9001:2015
COMPANY

GEM Seller ID : 8C0F180000397396

SPINK CONTROLS

303, SIDDHARTH TOWER, MYNOOMAL PATH, KOPRI, THANE(E) - 400 603 MAHARASHTRA, INDIA
Fax:+91 22 2532 4845 Phone :+91 22 2532 8223, +91 22 2532 8224 Email:info@spinkcontrolsindia.com

www.spinkcontrols.com

www.spinkcontrolsindia.com