

Tubular Level Gauge

Simple low cost and reliable for direct reading of clean liquid levels at low pressure & temperature conditions.



Construction & Operation :

Gauge is fitted between two end blocks through gland packings. The gauge is mounted parallel to tank so as to form a close loop causing tank liquid to seek its level in the gauge. Guards are provided in the form of tie-rods / c-channels around the gauge to protect it from accidental blows. End blocks have built-in isolating valve, drain valve & vent plug.

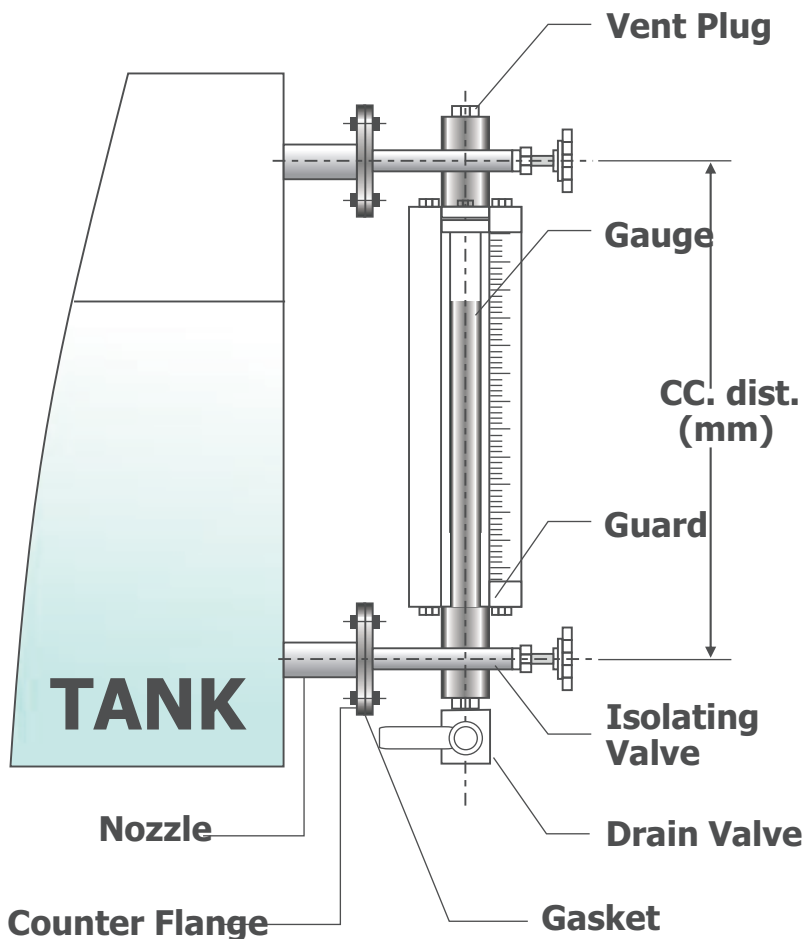
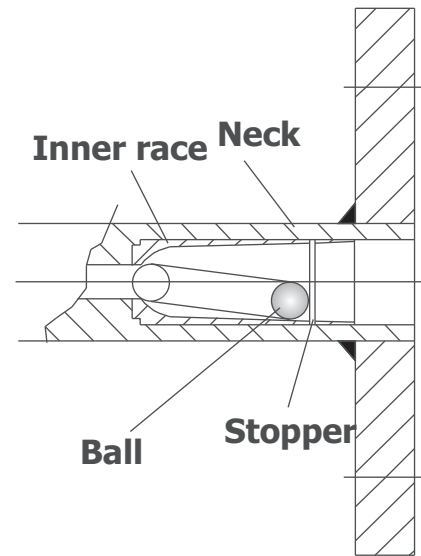
Features :

- 360° visibility with tie-rod guards.
- Glass removal / replacement possible w/o dismantling of gauge.
- Offset isolating valves permit cleaning of glass gauge w/o removal.



Auto Ball Check :

Autoball check facility is provided to prevent "liquid loss" from vessel during breakage of gauge glass. It consists of a capsule located within the gauge 'neck' and contains a 'ball' which moves freely along its inner race between the stopper & orifice. During breakage, the pressure on 'ball' from gauge side will be atmospheric, whereas higher pressure from vessel side ("optg pr + liquid column") will cause the ball to move and block the orifice, to minimize liquid loss



Installation :

Side mounted through tank nozzles, having matching counter flanges / threads, ensuring that CC distance between nozzles corresponds with CC distance (R) of the gauge.

Model Identification - TTG :

GAUGE SIZE

19mm.(HW) ————— 1

END BLOCK MOC

CS ————— M

SS 304 ————— N

SS316 ————— S

PP ————— P

PVDF ————— D

Non-std. ————— O

END BLOCK TYPE

W/O Valve ————— W

Offset Needle Valve ————— V

Offset NV. with Auto Ball Check ————— A

Non-std. ————— O

GUARDS

CS 'C' Channels ————— 1

SS 304 'C' Channels ————— 3

GLAND MOC

CI ————— I

SS 316 ————— S

PP ————— P

PROCESS CONNECTIONS

Flanged ————— F

Screwed ————— S

VENT x DRAIN

Plug x Plug ————— 1

Plug x Ball Valve ————— 2

CAL. SCALE

Acuralic ————— P

Aluminaum ————— S

x (CC dist.) in mm.

STANDARD SPECIFICATIONS:

Gauge : HW Borosilicate Glass 16 / 25mm OD
(25mm for Viscous Liquids)
End Block MOC : CS / SS 304 / SS 316 / PP / PVDF
End Block Type : W/o Valve / Offset NV with or W/o Auto Ball Check
Guards : CS/ SS304 / FRP C-Channels or Tie-Rods
Gland MOC : CI / SS 316 / PP with PVDF insert
Packing : PTFE
Process conn. : 3/4" / 1" Flanged (Table D / ANSI 150#) or BSP Screwed
Vent / Drain : Plug / Ball valve
Calibrated Scale: Polycarbonate (LC=2mm) / SS(LC=10mm)
CC Dist. : 3000mm in Single Length, Large CCD's thru' Coupler
Visibility : CC Dist - 150mm
Maximum Temp.: 200°C (Metallic) / 100°C (PVDF) / 70°C(PP)
Test Pressure : 10 Kg/cm² (Metallice) / 2 Kg/cm² (at amb temp) (PVDF / PP MOC)

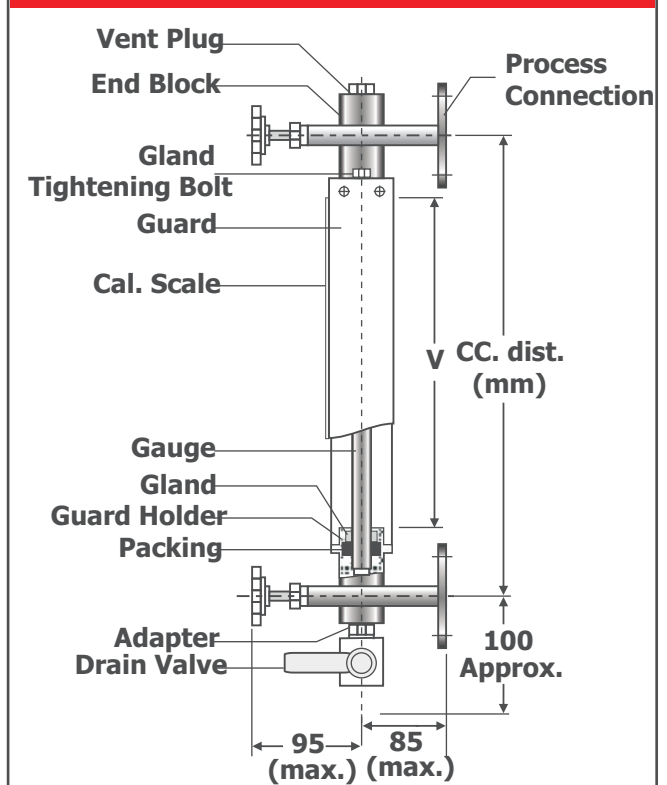
OPTIONS

Auto Ball Check: Ø10 mm SS 316 ball (Metallic MOC)/ PTFE (PVDF & PP MOC)
Glass Protector : 3mm thick Perspex Shield
Frost Free Extn.: Perspex Shield 20mm thk with 35mm Extension
Illuminator : 15W Bulb mtd on 1200mm long Reflector x 220VAC Supply with Cast Al IP65/ Ex-P Gr IIA & IIB or IIC Enclosure (Multiple Illuminators for CCD's >1200mm)
Jacketing : 1/4" SS304 pipe with Ferrule & Lock Nut

MOC's in CI / CS are Epoxy Coated

Applications : Chemical / Petro-Chemical, Fertilizer, Power generation, Pharmaceutical, Automobile, Water/Waste Water/ Effluent treatment plants, Cooling/Lubricating/Filtration systems, Liquid sewerage tanks, Chemical dosing system, Chemical reactors etc.

Schematic diagram



ALL DIMENSIONS ARE IN mm EXCEPT SPECIFIED.



Phone: 91-22-2532 8223/24 Email: info@spinkcontrolsindia.com

R-1A, VILAS APPT, SANT TUKARAM PATH, KOPRI, THANE (E) 400 603, INDIA
FAX : 91-22-2532 4845