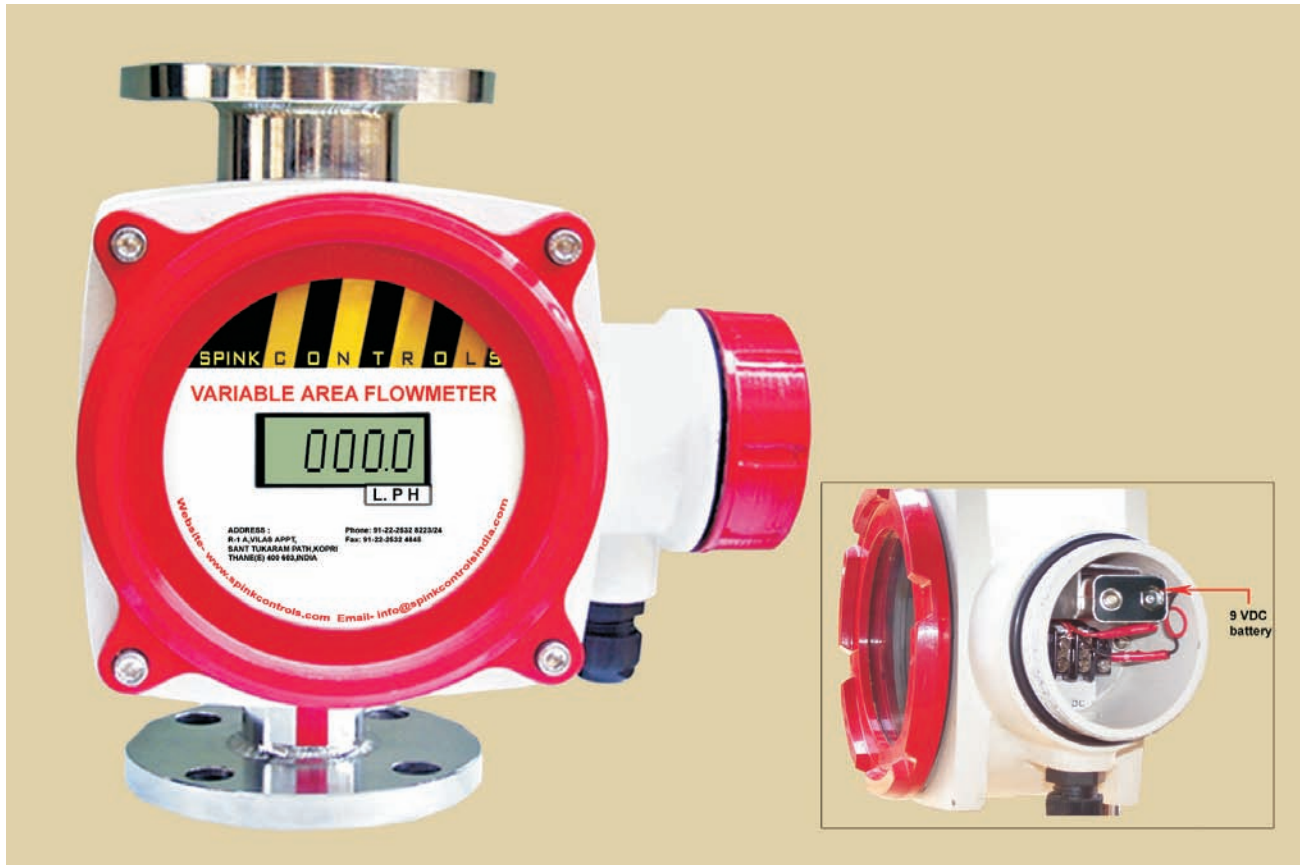
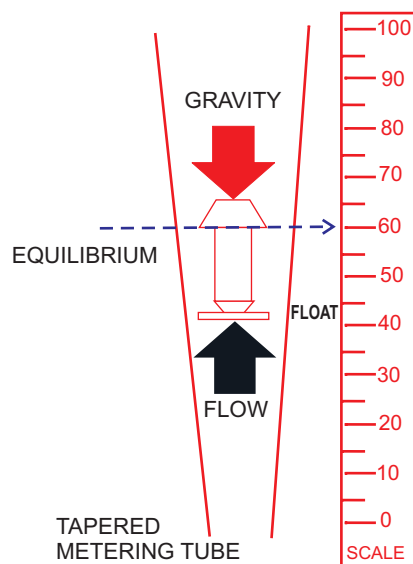


DIGITAL VARIABLE AREA FLOWMETER (ROTAMETER)



ORIGIN OF METAL TUBE ROTAMETER

It operates on the principle of variable area; the fluid in the metal tube raised a float in the taper tube increasing the area of passage of fluid.



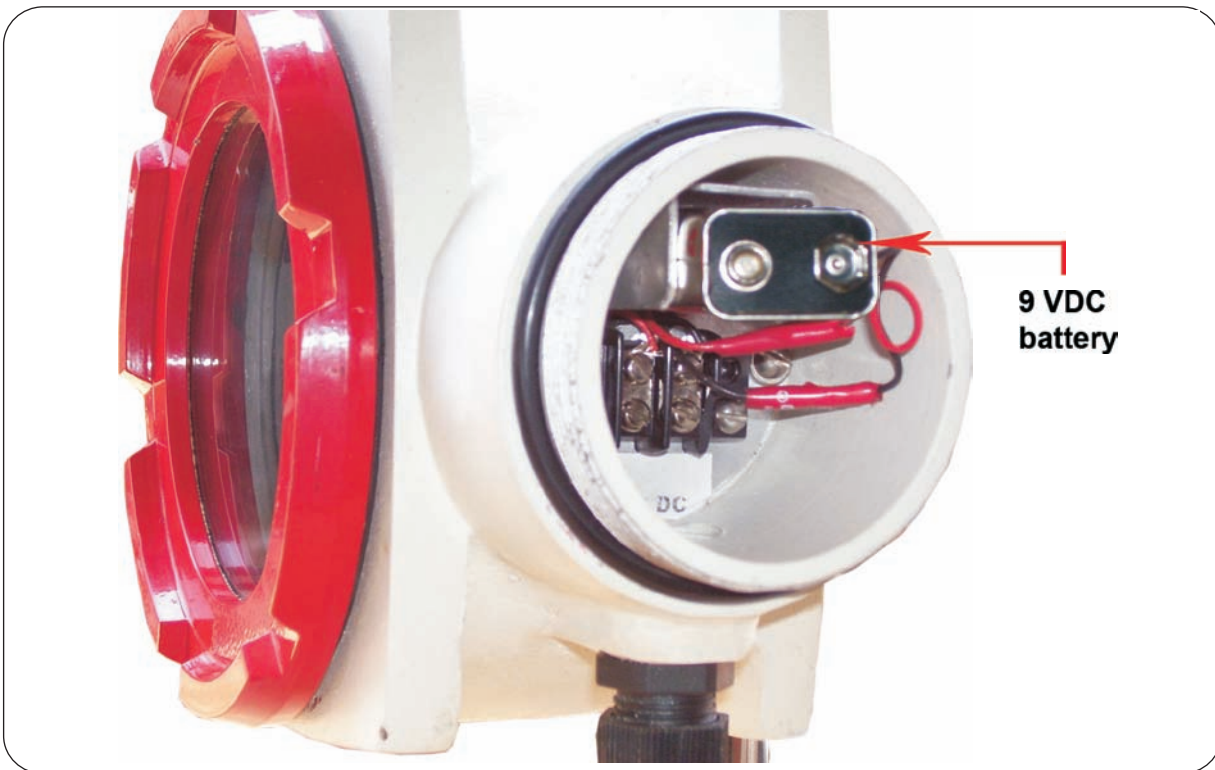
The float moves up in proportion to the rate of flow of fluid and get stabilized when the weight of the float is balanced by the upward hydraulic force. By a magnetic coupling the inner float movement through a series of linkages and counter weight. The tube and the float combination determine the flowrate.

DIGITAL METER: The inner float magnetic field is detected by the high sensitive magnetic field detection sensor, enable us to show the digital readout.

As such this flowmeter does not require any electrical connection, since it operates on battery. It has an two wire inbuilt transmitter which takes 24 VDC supply and gives output signal of 4–20 mA

BENEFITS OF SPINK CONTROLS DIGITAL VARIABLE AREA FLOW METERS

- Local indication without the need for auxiliary power.
- Minimum pressure loss.
- Easy to read.
- Accurate measurement even at higher flow(150 m³/hr).
- Suitable for low flow (8LPH)
- Default inbuilt transmitter of 4 – 20 mA (Loop powered).
- No movement assembly reducing the maintenance.



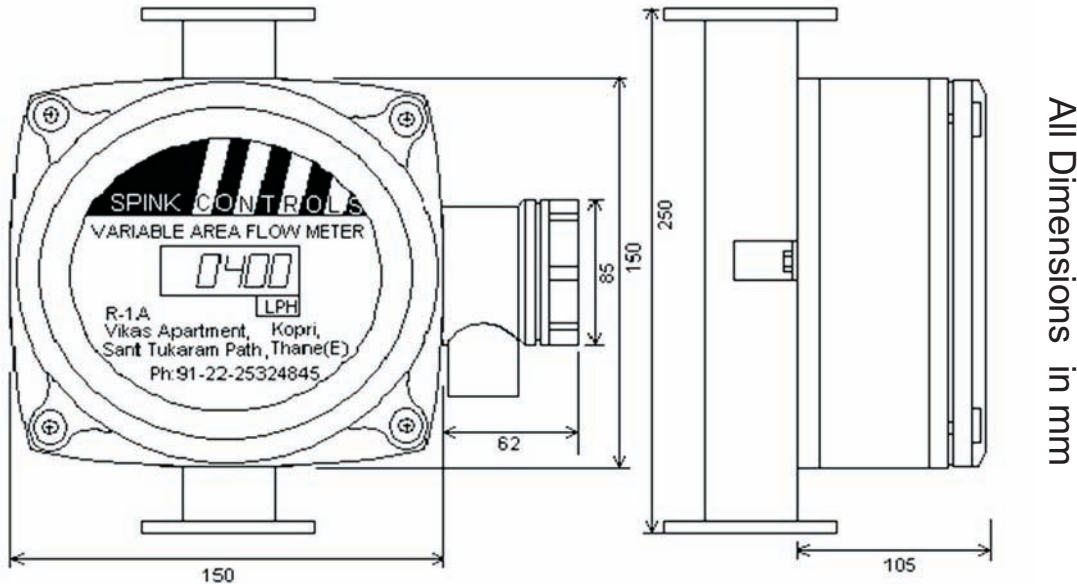
TECHNICAL SPECIFICATION

Accuracy	: +/- 1.5% of FSR.
Rangeability	: 10:1
Repeatability	: +/- 0.25% of FSR
Temperature Rating	: -50 to 120 °C.
Pressure Rating	: 80 kg/cm ²
Flow Direction	: Bottom to Top
End connection	: Flanged to suit customer's requirement.
Wetted Part	: To suitable specific liquid or gases.
Mounting position	: Vertical.
Indication	: Digital flow rate
Transmission	: 2 wire loop powered
Enclosure	: Flameproof / Weatherproof.
Power supply	: 9 VDC Battery

MAXIMUM FLOW AND PRESSURE LOSS

LINE SIZE NB	20° C WATER FLOW m ³ /hr	0° C 1 atm AIR FLOW Nm ³ /hr	APPROX PRESSURE LOSS MM WC
15	0.2 - 1.2	6 - 35	200 - 225
20	0.4 - 2.0	8 - 60	220 - 230
25	1 - 5	30 - 150	200 - 270
40	2.5 - 10	70 - 300	200 - 250
50	3.5 - 17	100 - 500	225 - 280
85	6 - 30	200 - 900	225 - 240
80	10 - 45	300 - 1200	225 - 280
100	20 - 100	600 - 3000	350 - 850
125	30 - 120	900 - 4000	300 - 850
150	30 - 150	900 - 4500	350 - 950

Dimensional Drawing



Ordering Information

MODEL CODE	R 300/D
LOCAL INDICATOR LCD 1/2" DISPLAY AND BATTERY OPERATED	0001
LOCAL INDICATOR AND TOTALISER (16X2 LINE) WITH LOOP POWERED	0002
LOCAL INDICATOR WITH LED 1/2" DISPLAY 230VAC INPUT AND 4-20 mA OUTPUT	0003
LOCAL INDICATOR WITH 1" LED DISPLAY 230VAC INPUT AND 4-20 mA OUTPUT.	0004
LOCAL INDICATOR WITH TOTALISER AND BATCH CONTROLLER (16X4 LINE) LCD DISPLAY, 230VAC INPUT.	0005
LOCAL INDICATOR WITH TOTALISER AND DENSITY CORRECTION FACILITY	0006
LOCAL INDICATOR WITH HIGH/LOW SWITCH	0007
MATERIAL OF CONSTRUCTION (WETTED PARTS)	
SS 304	304
SS 304 WITH TEFLONLINED	304PTFE
SS 316	316
SS 316 WITH TEFLONLINED	316PTFE
PP	PP
PVC	PVC
INDICATOR HOUSING: DIE-CAST ALUMINUM	AL
INDICATOR HOUSING: SS 304	SP
MATERIAL FOR FLOAT	
SS 316	1
TEFLON	2
PVC	3
ADDITIONAL ACCESSORIE	
JACKETING	J
REMOTE TOTALISER 230 VAC	IN
REMOTE TOTALISER AND CONTROLLER 110 VAC	INC
EXAMPLE	R-300/D/ 001/ 304/ AL/ 01/ IN

R-1 A,VILAS APPT, SANT TUKARAM
 PATH,KOPRI, THANE(E) 400 603,INDIA
 Fax: 91-22-2532 4845

®

SPINK CONTROLS

Phone:91-22-2532 8223/24 Email:info@spinkcontrolsindia.com
 www.spinkcontrols.com www.spinkcontrolsindia.com